

Instructions

Changing Rely components

This manual will help you change the components on your Rely chair. Follow these instructions to ensure correct installation. If you have any questions or comments, please do not hesitate to contact us by mail on:

info@andtradition.com

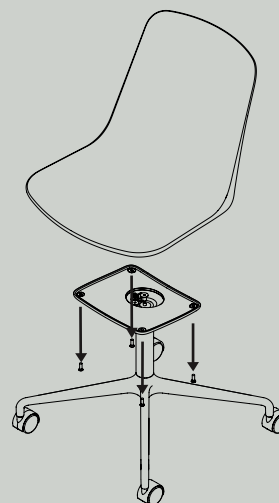
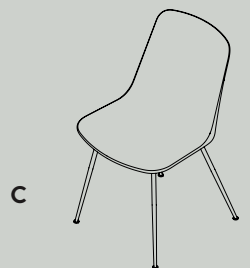
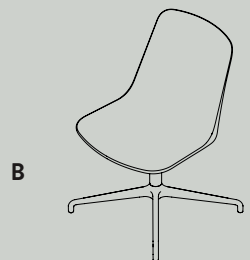
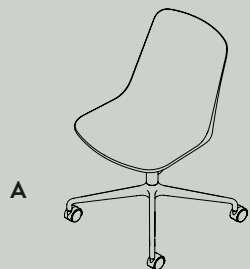
Exchanging Rely components

Please read these instructions carefully and retain them for future reference to ensure that the components are changed correctly. For your own safety, please study each step of this instruction manual first. &Tradition is not responsible for any faults or damages caused by not following these instructions correctly.

These instructions are relevant for the following Rely chair bases and components:

- A Swivel base with castors
- B Swivel base
- C Tube legs
- D A-frame

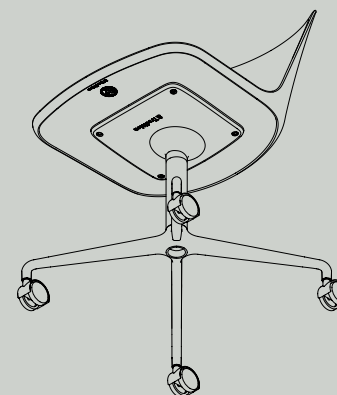
Tools needed
- Screwdriver



Swivel base with castors — Changing the swivel base

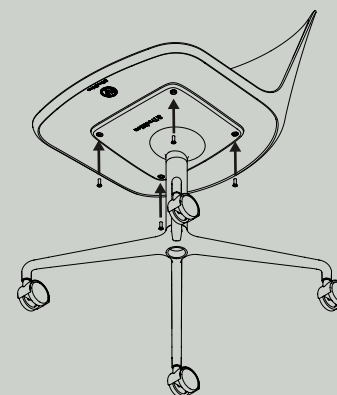
Step 1

Remove the screws with a screwdriver and carefully set aside the seat.



Step 2

Place the new base in the correct position.



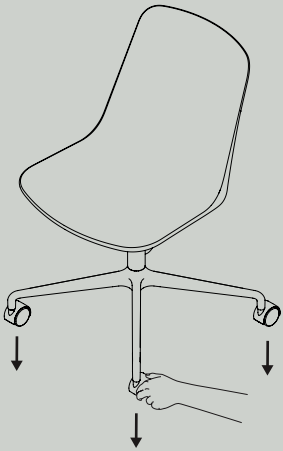
Step 3

Mount the screws using a screwdriver. Be careful not to overturn if using a power tool.

Swivel base with castors – Changing the castors

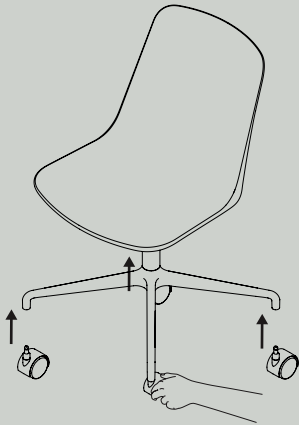
Step 1

Pull out the castors. No tools are required for this.



Step 2

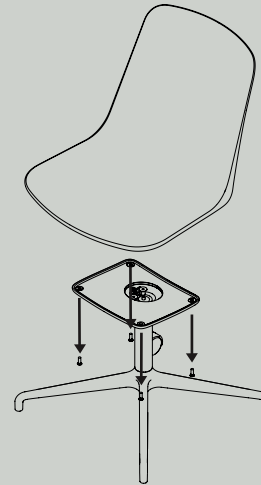
Attach the new castors by pressing them into the tube until you hear a click. No tools are required for this.



Swivel base – Changing the base

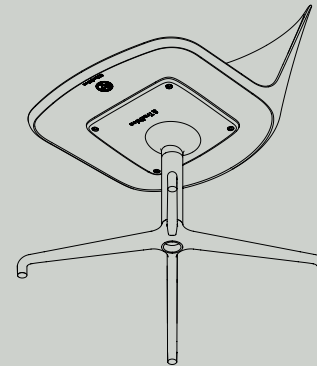
Step 1

Remove the screws with a screwdriver and carefully set aside the seat.



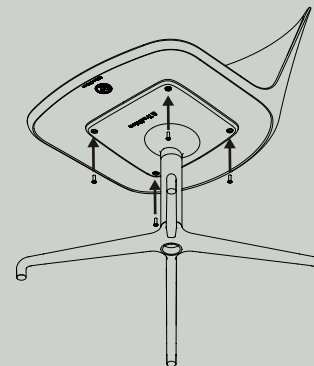
Step 2

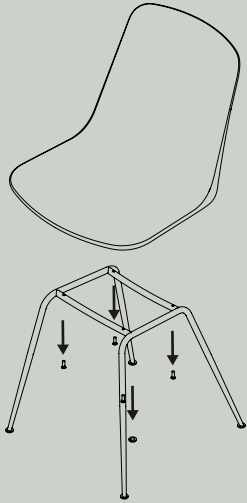
Place the new base in the correct position.



Step 3

Mount the screws using a screwdriver. Be careful not to overturn if using a power tool.

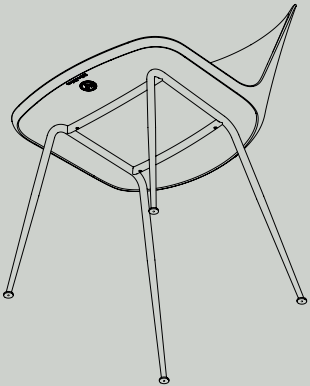




Tube base – Changing the base

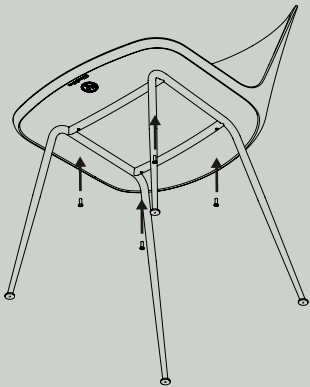
Step 1

Remove the screws with a screwdriver and carefully set aside the seat.



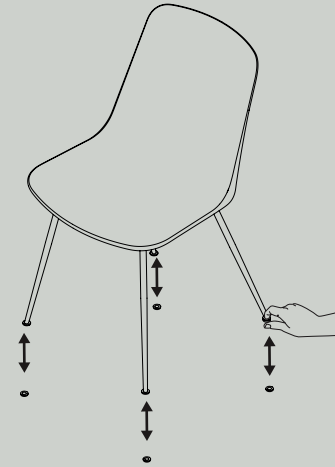
Step 2

Place the new base in the correct position.



Step 3

Mount the screws using a screwdriver. Be careful not to overturn if using a power tool.



Tube base – Changing the gliders

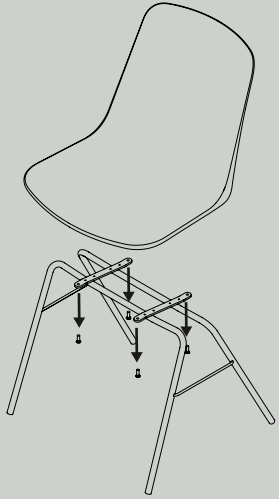
Step 1

Change or add gliders by unclipping them (plastic gliders or felt gliders) No tools are required for this.

A-base – Changing the base

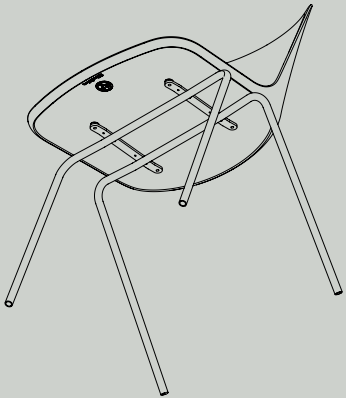
Step 1

Remove the screws with a screwdriver and carefully set aside the seat.



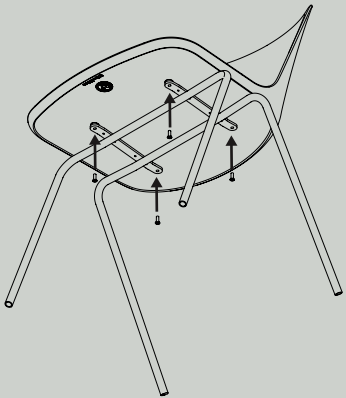
Step 2

Place the new base in the correct position.



Step 3

Mount the screws using a screwdriver. Be careful not to overturn if using a power tool.



&Tradition®